

Self Contained Ice Machine up to 142 kg



Features

- Produces Medium cubes or Small cubes.
- Resistant stainless steel exterior.
- Front panel in & out airflow for built-in installation.
- High grade appearance.
- Easily accessible front panel mount ON-OFF Switch.
- Ergonomically designed ice-storage access, with disappearing door.
- Routine Maintenance visible alarm light on front panel.
- It is easy for water system cleaning with One Touch cleaning button. (The SCOTSMAN cleaner is sold separately)
- Front access condenser air filter, removable and washable.
- CFC- free R-404A refrigerant.



Proximity condenser air filter



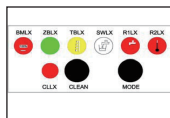
Front ON-OFF Switch
Routine Maintenance Alarm



Hygienic scoop holder
Easy bin access



It is 1003 mm in height
with legs



Advanced PC board with
One touch cleaning and
indicator lights

NU 300 Technologies



Model	Cooling System	24h Production				Storage capacity		Dimensions [WxDxH mm] 650x690x1003
		21°C : 10°C		32°C : 21°C		[kg]	[lb]	
NU300AS	Air cooled	132	290	100	220	37	81	[WxDxH inches] 26" x 27" x 40"
NUH300AS	Air cooled	132	290	100	220	37	81	
NU300WS	Water cooled	n/a	n/a	n/a	n/a	n/a	n/a	[V/Hz/ph] 220/50/1
NUH300WS	Water cooled	n/a	n/a	n/a	n/a	n/a	n/a	

MEDIUM CUBE
10g



22×22×22mm

SMALL CUBE
5g



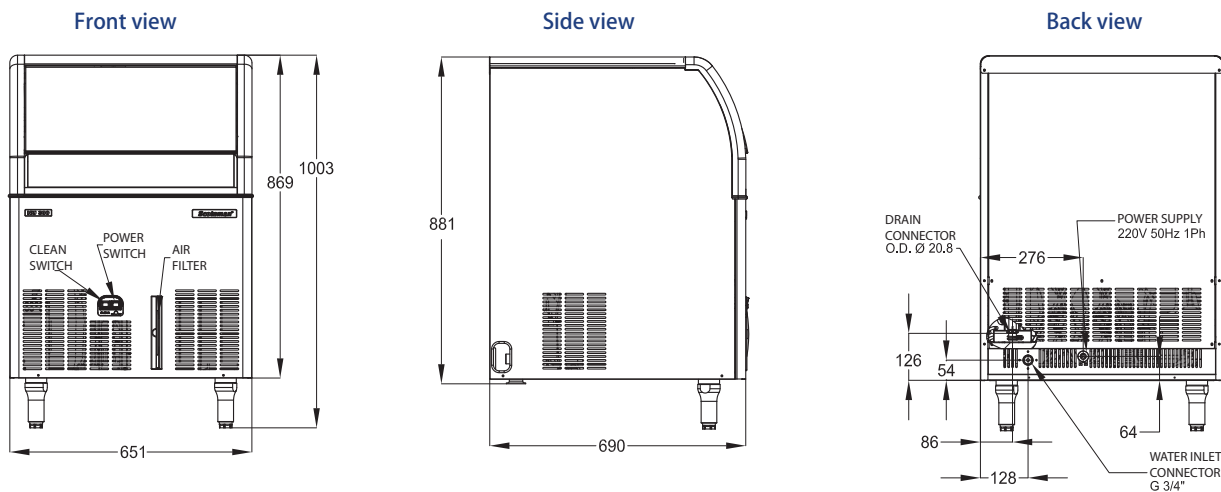
9,5×22×22 mm

This product qualifies for the following listings:



Self Contained Ice Machine up to 142 kg

The model with legs



NU 300 Air cooled



Inlet water temperature

°C / °F	50° / 10°		60° / 15°		70° / 21°		90° / 32°	
	kg	lb	kg	lb	kg	lb	kg	lb
10° / 50°	142	313	--	--	--	--	--	--
21° / 70°	132	290	--	--	--	--	--	--
32° / 90°	--	--	100	220	--	--	--	--
38° / 100°	--	--	--	85	--	--	187	--

Air temperature



Minimum	Maximum
10°C (50°F)	40°C (104°F)
5°C (41°F)	35°C (95°F)
-10%	+10%
1 bar 14 psi	5 bar 70 psi

Model	Compressor	Capacity [Btu/h] [W]	Ice Output [Ømm ²]	Power [W]	FUSE	Energy [kWh] - 100 kg	Water [L] - 100 kg	Weight [kg] [lb]
NU 300 AS	Compressor icon	8530 2500	1,5	950	16A	19,8	165	65 143
NUH 300 AS	Compressor icon	8530 2500	1,5	950	16A	19,8	165	65 143
NU 100 WS	Water pump icon	n/a n/a	n/a	n/a	n/a	n/a	n/a	n/a n/a
NUH 100 WS	Water pump icon	n/a n/a	n/a	n/a	n/a	n/a	n/a	n/a n/a

IMPORTANT NOTICE:
Models and specifications are subject to change without notice.
This spec sheet is meant for commercial purpose only.
For technical documentation please refer to our service manuals.

www.scotsman-ice.it
www.scotsman-china.com

Scotsman®
Ice Systems

Milano Madrid Chicago Dubai Singapore Shanghai Johannesburg