



DRINK MACHINE ADVANCE®

The Ultimate Blender for Every Beverage Program

From fruit smoothies to thick shakes, the Drink Machine Advance is an essential tool for adding or expanding a blended beverage program.

Smart Product Design

- 6 optimized programs and automatic shut-off means you can turn it on, walk away, and achieve consistent results
- Pulse control quickly refreshes drinks for efficiency
- Advance® container creates faster, smoother pouring and has a longer blade life resulting in time and cost savings along with improved customer experience
- Advanced motor is designed to resist overheating when blending extra-thick ingredients resulting in cooler operation and enhanced reliability during peak hours of operation



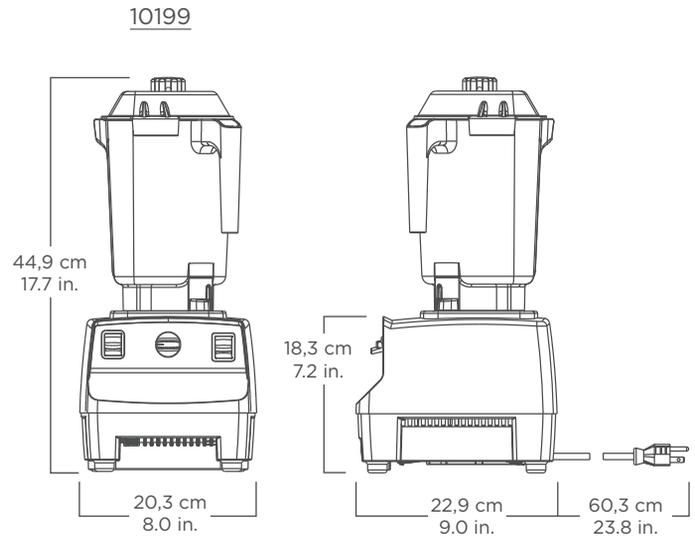
Perfectly blended smoothies

Product Specifications

Drink Machine Advance®

Item Number: 10199
 Motor: ≈2 peak output horsepower motor
 Electrical: 220 - 240 V, 50/60 Hz, 1000 - 1200 W
 Pack: Includes Drink Machine Advance with 0,9 L high-impact, clear/stackable Advance® container, complete with Advance blade assembly and lid, and silver base.
 Net Weight: 5,5 kg (6,3 kg with box)
 Dimensions: 44,9 x 20,3 x 22,9 cm (H x W x D)

Warranty: Please contact your authorized Vitamix distributor for warranty information.



Also Available

Drink Machine Advance with Advance container

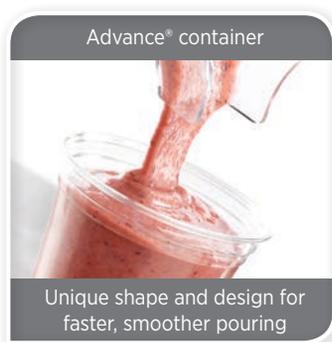
Item Number: 10198: 220 - 240 V, 50/60 Hz, 1000 - 1200 W (black base)
 10194: 120 V (EMC), 50/60 Hz, 11,5 A (silver base)
 10196: 100 V, 50/60 Hz, 900 W (silver base)

Additional containers, complete with blade assembly and lid.

Item Number: 15981: Advance container 0,9 L
 15506: standard container 1,4 L
 15640: compact container 0,9 L

For more information, please contact an authorized Vitamix distributor, or Vitamix international customer service.

Where applicable:



Contact Information

U.S.A., Canada & Latin America:
 Phone: 800.4DRINK4 or 800.437.4654
 Email: foodservice@vitamix.com

vitamix.com
 Vita-Mix Corporation
 8615 Usher Road
 Cleveland, OH 44138-2103 U.S.A.

Outside of U.S.A., Canada & Latin America:
 Phone: +1.440.782.2450
 Email: international@vitamix.com

For more information, contact your local foodservice distributor.