

Specification

CombiMaster® Plus 102 G (10 x 2/1 - 20 x 1/1 GN)

Reference number:



Description

- Hot-air steamer (combi-steamer mode) conforming to DIN 18866 for most of the cooking methods used in commercial kitchens for the optional use of steam and hot-air, individually, in succession or in combination.

Working safety

- Cleaning and rinse aid tabs (solids) for maximum operational safety
- HACCP data output and software update via integral USB port
- Safety temperature limiter for steam generator and hot-air heating
- Maximum rack height 5 ¼ ft. / 1.60 m when original stand used
- Integral fan impeller brake
- Door handle with right/left and slam function

Operation

- Mode selector control for cooking modes, separate controls for temperature, core temperature and time settings
- LED illuminated display, visible from a distance
- Clear control panel

Cleaning, care and operational safety

- 3 automatic cleaning programs
- Diagnostic system with automatic service notices displayed
- Menu-guided user descaling program

Features

- USB port
- Probe for core temperature measurement
- Individual programming of 100 cooking programs each with up to 6 steps
- 5 fan air speeds, programmable
- Integral, maintenance-free grease extraction system with no additional grease filter
- Cool-down function for fast cabinet fan cooling
- High-performance fresh steam generator
- Automatic, active rinsing and drainage of steam generator by pump
- Automatic adaptation to the installation location (height, climate, etc.)
- Seamless hygienic cooking cabinet with rounded corners, cabinet with splash guard - stops water from spilling out
- Removable, swivelling grid shelves (distance between rails 2 5/8" / 68 mm)
- Material inside and out 304 (DIN 1.4301) stainless steel
- Hand shower with automatic retracting system
- Separate solenoid valves for normal and softened water
- Fixed waste water connection conforming to SVGW requirements where permitted
- Splash and hose-proof to IPX 5
- Demand-related energy supply by means of modulating, low-noise high-performance blower burner system
- Lengthwise loading for 18"x26" or 2/1, 1/1 GN accessories
- Temperature unit is selectable in °C or °F
- Dynamic air mixing

ClimaPlus



Climate management - humidity measurement, 5-stage setting and regulation

Combi-Steamer mode



Steam between 30 °C and 130 °C



Hot-air from 30 °C-300 °C



Combination of steam and hot-air
30 °C-300 °C

Approval/Labels



Planner/Designer:

CombiMaster® Plus 102 G (10 x 2/1 - 20 x 1/1 GN)

Technical Info

Lengthwise loading for:	2/1, 1/1 GN
Capacity (GN-container/ grids):	10 x 2/1 GN / 20 x 1/1 GN
Number of meals per day:	150-300
Width:	1.069 mm
Depth:	976 mm
Height:	41 inch / 1.042 mm
Weight (net):	196 kg
Weight (gross):	224 kg

Water connection (pressure hose):	3/4" / d 1/2"
Water pressure (flow pressure):	150-600 kPa / 0,15-0,6 Mpa / 1,5 - 6 bar
Water drain:	DN 50 mm
Gas supply/connection:	3/4" (NPT)
Rated thermal load	45 kW
Liquid gas LPG total:	
Rated thermal load	168,000 BTU (45 kW)
Liquid gas LPG "Hot-air":	
Rated thermal load	40 kW
Liquid gas LPG "Steam":	

Rated thermal load natural gas total:	45 kW
Rated thermal load natural gas "Steam":	40 kW
Rated thermal load natural gas "Hot-air":	45 kW
Connected load electric :	0,8 kW

Mains connection	Breaker Size / (amp draw)	Cable crossection
1 NAC 230V 50/60Hz	1 x 16 A	3 x 2,5 mm ²
Other voltage on request!		

Installation

- Attention: Copper wiring only!
- Recommended left hand clearance for service and maintenance 20" / 500 mm. It must be a minimum of 14" / 350 mm if heat sources are affecting the left side of the unit
- Installations must comply with all local electrical, plumbing and ventilation codes

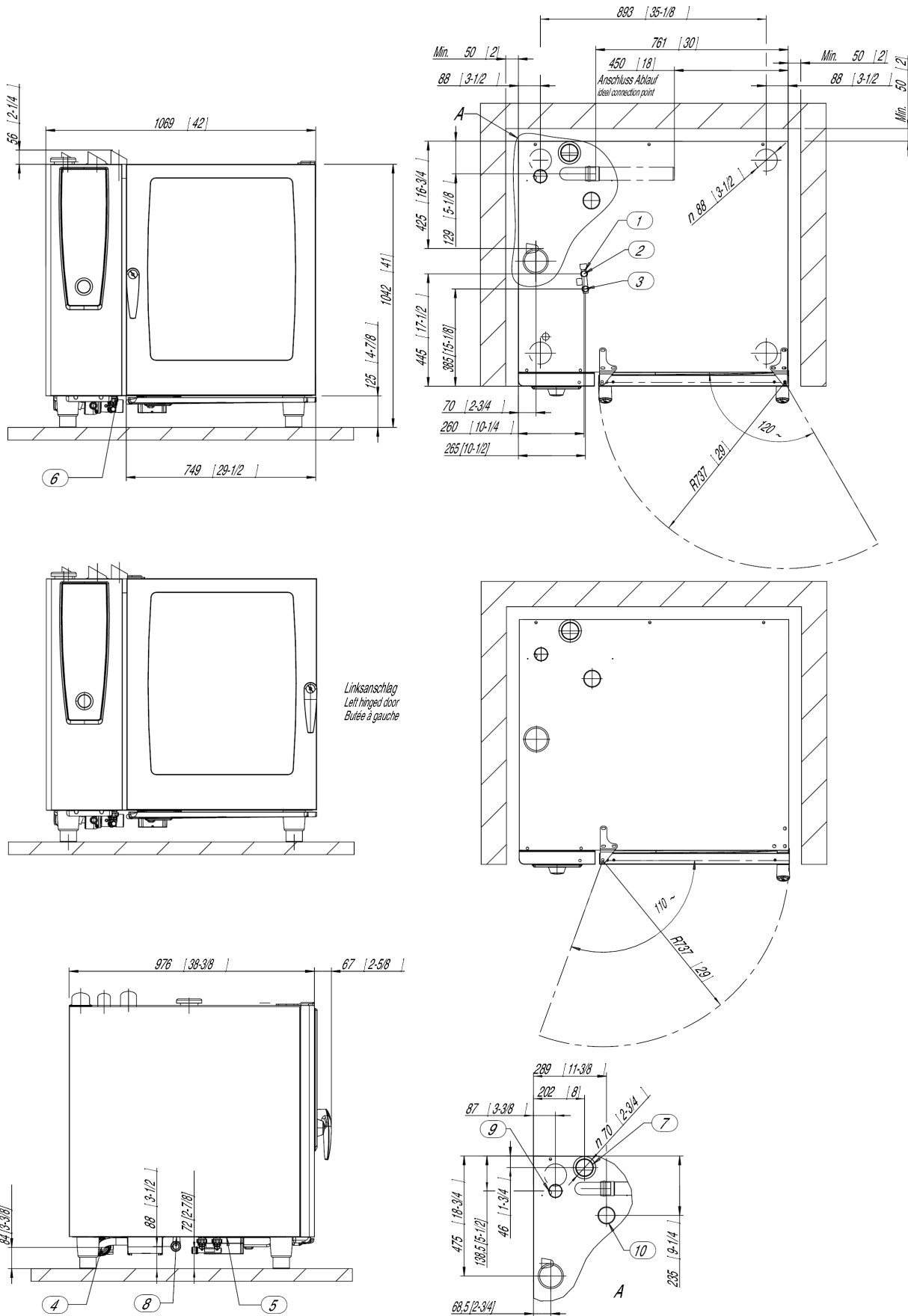
Options

- Security version/prison version
- Left hinged door
- Sous-Vide core temperature probe
- Interface Ethernet
- Safety door lock
- Externally attached core temperature probe
- Lockable control panel
- Connection to energy optimising systems + Potential free contact for operation indication included
- Special voltages
- Control panel protection

Accessories

- GN Containers, Trays, Grids
- Stands / Cabinets
- Thermocover
- Transport Trolley
- Grease drip container
- Draft diverter with silencer
- Catering kit

CombiMaster® Plus 102 G (10 x 2/1 - 20 x 1/1 GN)



1. Common water supply (cold water) "Single" water connection as shipped
 2. Water supply cold water / condensate "Split" water connection
 3. Water supply cold / Treated "Split" water connection
 4. Water drain
 5. Electrical connection wire entrance
 6. Chassis Ground connection
 7. Steam Vent pipe DN 2 3/4" / 70 mm
 8. Gas connection 3/4 NPT
 9. Steam burner exhaust pipe
 10. Hot-air burner exhaust pipe minimum distance 2" / 50 mm
- Left side clearance 20" recommended for servicing of unit without the ability to move unit while connected. Measurements in mm (inch)



Specification/Data sheet

Thu May 18 09:41:48 CEST 2017

CombiMaster[®] Plus 102 G (10 x 2/1 - 20 x 1/1 GN)