

# Specification

## CombiMaster® Plus 61 G (6 x 1/1 GN)

Reference number:



**Description**

- Hot-air steamer (combi-steamer mode) conforming to DIN 18866 for most of the cooking methods used in commercial kitchens for the optional use of steam and hot-air, individually, in succession or in combination.

**Working safety**

- Cleaning and rinse aid tabs (solids) for maximum operational safety
- HACCP data output and software update via integral USB port
- Safety temperature limiter for steam generator and hot-air heating
- Maximum rack height 5 ¼ ft. / 1.60 m when original stand used
- Integral fan impeller brake
- Door handle with right/left and slam function

**Operation**

- Mode selector control for cooking modes, separate controls for temperature, core temperature and time settings
- LED illuminated display, visible from a distance
- Clear control panel

**Cleaning, care and operational safety**

- 3 automatic cleaning programs
- Diagnostic system with automatic service notices displayed
- Menu-guided user descaling program

**Features**

- USB port
- Probe for core temperature measurement
- Individual programming of 100 cooking programs each with up to 6 steps
- 5 fan air speeds, programmable
- Integral, maintenance-free grease extraction system with no additional grease filter
- Cool-down function for fast cabinet fan cooling
- High-performance fresh steam generator
- Automatic, active rinsing and drainage of steam generator by pump
- Automatic adaptation to the installation location (height, climate, etc.)
- Seamless hygienic cooking cabinet with rounded corners, cabinet with splash guard - stops water from spilling out
- Removable, swivelling grid shelves (distance between rails 2 5/8" / 68 mm)
- Material inside and out 304 (DIN 1.4301) stainless steel
- Hand shower with automatic retracting system
- Separate solenoid valves for normal and softened water
- Fixed waste water connection conforming to SVGW requirements where permitted
- Splash and hose-proof to IPX 5
- Demand-related energy supply by means of modulating, low-noise high-performance blower burner system
- Lengthwise loading for 12"x20" or 1/1, 1/2, 2/3, 1/3, 2/8 GN accessories
- Temperature unit is selectable in °C or °F
- Dynamic air mixing

**ClimaPlus**



Climate management - humidity measurement, 5-stage setting and regulation

**Combi-Steamer mode**



Steam between 30 °C and 130 °C



Hot-air from 30 °C-300 °C



Combination of steam and hot-air 30 °C-300 °C

**Approval/Labels**



Planner/Designer:

## CombiMaster® Plus 61 G (6 x 1/1 GN)

### Technical Info

<b>Lengthwise loading for:</b>	1/1, 1/2, 2/3, 1/3, 2/8 GN
<b>Capacity (GN-container/grids):</b>	6 x 1/1 GN
<b>Number of meals per day:</b>	30-80
<b>Width:</b>	847 mm
<b>Depth:</b>	776 mm
<b>Height:</b>	30 3/4 inch / 782 mm
<b>Weight (net):</b>	114 kg
<b>Weight (gross):</b>	139 kg

<b>Water connection (pressure hose):</b>	3/4" / d 1/2"
<b>Water pressure (flow pressure):</b>	150-600 kPa / 0,15-0,6 Mpa / 1,5 - 6 bar
<b>Water drain:</b>	DN 50 mm
<b>Gas supply/connection:</b>	3/4" (NPT)
<b>Rated thermal load</b>	13 kW
<b>Liquid gas LPG total:</b>	
<b>Rated thermal load</b>	49,000 BTU (13 kW)
<b>Liquid gas LPG "Hot-air":</b>	
<b>Rated thermal load</b>	12 kW
<b>Liquid gas LPG "Steam":</b>	

<b>Rated thermal load natural gas total:</b>	13 kW
<b>Rated thermal load natural gas "Steam":</b>	12 kW
<b>Rated thermal load natural gas "Hot-air":</b>	13 kW
<b>Connected load electric :</b>	0,4 kW

<b>Mains connection</b>	<b>Breaker Size / (amp draw)</b>	<b>Cable crossection</b>
1 NAC 230V 50/60Hz	1 x 16 A	3 x 2,5 mm <sup>2</sup>
Other voltage on request!		

### Installation

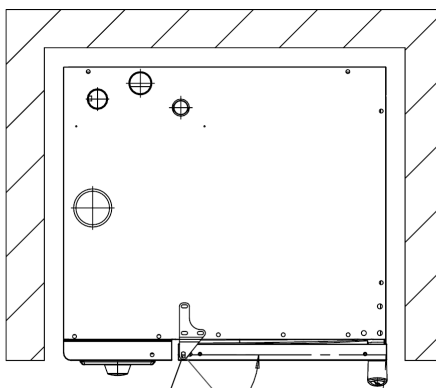
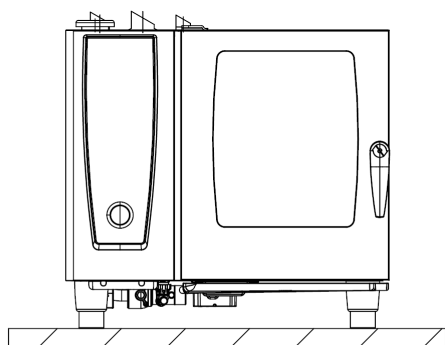
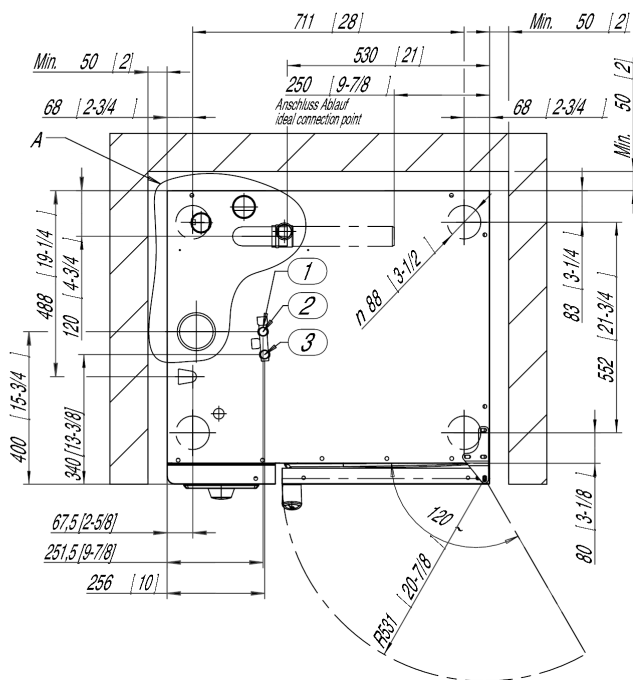
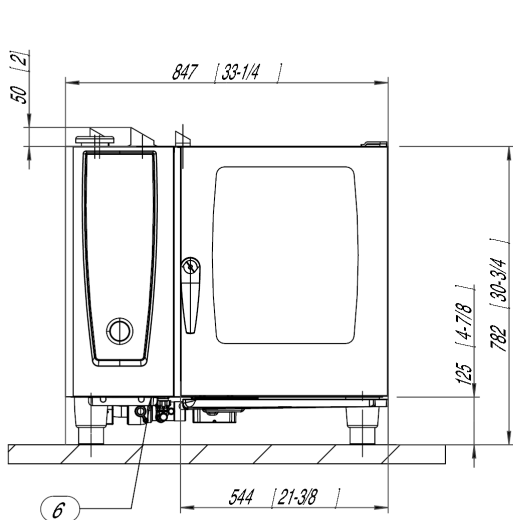
- Attention: Copper wiring only!
- Recommended left hand clearance for service and maintenance 20" / 500 mm. It must be a minimum of 14" / 350 mm if heat sources are affecting the left side of the unit
- Installations must comply with all local electrical, plumbing and ventilation codes

### Options

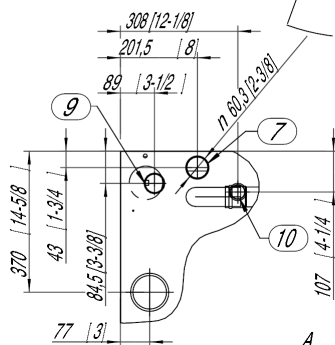
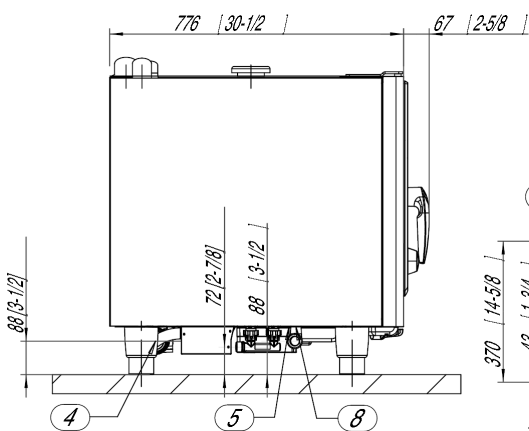
- Security version/prison version
- Left hinged door
- Sous-Vide core temperature probe
- Interface Ethernet
- Safety door lock
- Externally attached core temperature probe
- Lockable control panel
- Connection to energy optimising systems + Potential free contact for operation indication included
- Special voltages
- Control panel protection

### Accessories

- Wall Bracket for securing
- GN Containers, Trays, Grids
- Stands / Cabinets
- Thermocover
- Transport Trolley
- Exhaust hood
- UltraVent® condensation hood
- Hinging rack for bakers or butchers
- Mobile oven rack and hinging rack for bakers
- Mobile oven rack for bakers
- Grease drip container
- Draft diverter
- Catering kit



Linksanschlag  
Left hinged door  
Butee à gauche



1. Common water supply (cold water) "Single" water connection as shipped
  2. Water supply cold water / condensate "Split" water connection
  3. Water supply cold / Treated "Split" water connection
  4. Water drain
  5. Electrical connection wire entrance
  6. Chassis Ground connection
  7. Steam Vent pipe DN 2 3/8" / 60 mm
  8. Gas connection 3/4 NPT
  9. Steam burner exhaust pipe
  10. Hot-air burner exhaust pipe minimum distance 2" / 50 mm
- Left side clearance 20" recommended for servicing of unit without the ability to move unit while connected. Measurements in mm (inch)



# Specification/Data sheet

## CombiMaster<sup>®</sup> Plus 61 G (6 x 1/1 GN)

Thu May 18 11:37:22 CEST 2017